

# Threaded Process Connection, Small Diaphragm Seals with Flush Diaphragm Model 990.36

WIKA Data Sheet DS 99.03

## Applications

- For high pressures
- Pressure measurement of highly viscous or crystallising pressure media
- Process industry
- Painting lines

## Special Features

- Small dimensions
- Flush diaphragm
- No dead spaces
- Special version with protection disc for abrasive media



Diaphragm seal Model 990.36 directly combined with transmitter Model S-10

## Description

### Process connection

Stainless steel 316L  
Thread G ½ B, G ¾ B, G 1 B, G 1 ½ B (male)

### Pressure rating

PN 600

### Pressure ranges

0 ... 10 bar to 0 ... 600 bar

### Material of wetted parts

Stainless steel 1.4435 (316L)

### Instrument connection

Instrument directly welded

### System fill fluid

KN 2 Silicon oil

## Optional extras

### Special version with protection disc

- Purpose-built for abrasive media, see page 3

### Material of wetted parts

- Special materials on request

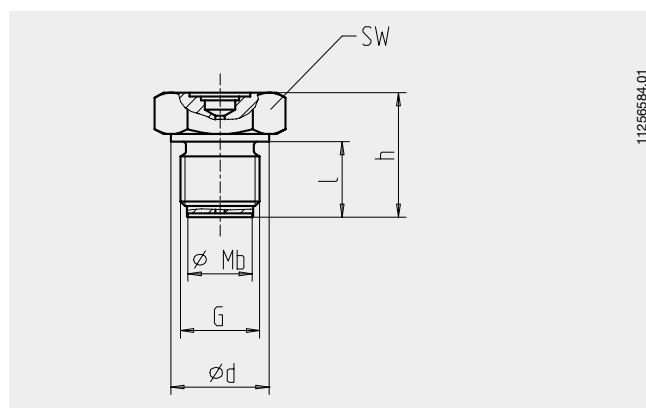
### Pressure instrument assembly

- Assembly via cooling tower
- Assembly via capillary, when ordering please specify:  
length of capillary

### System fill fluid

- Special fill fluids for painting lines

## Dimensions in mm



11256684.01

G	Dimensions in mm					Weight in kg
	Mb	SW	d	l	h	
<b>G 1/2 B</b>	17	27	26	20	33	0.16
<b>G 3/4 B</b>	22	32	32	20	37	0.25
<b>G 1 B</b>	25	41	39	28	46	0.52
<b>G 1 1/2 B</b>	40	55	60	30	50	1.10

Mb = effective diameter of diaphragm

## Special version with protection disc

In order to protect the pressure measuring instrument from abrasive materials, WIKA developed a diaphragm seal with a protection disc for use under even most severe conditions.

The pressure measuring instrument is insensitive to blows and impacts on the protection disc. This has a sufficient thickness, in order to resist the abrasion from the process media.

Material of protection disc: stainless steel 316L

### Applications

Pressure measurement in media with hard and abrasive solids:

- Cast plaster pumps / concrete pumps
- Heading and cutting machines for tunnels
- Mining / waste removal

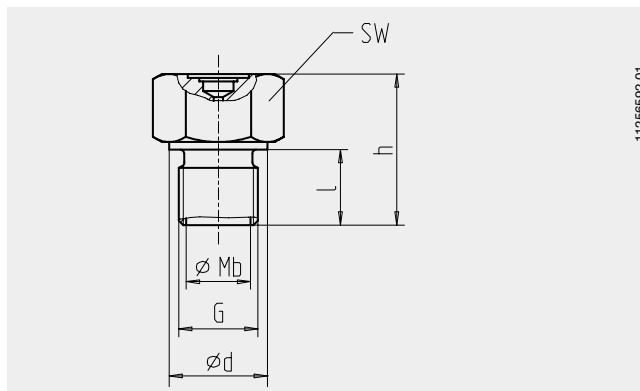
### Optional

- Rubber cover to protect the case of the pressure gauges



Pressure gauge Model 232.50.100 with rubber cover to protect the case and directly mounted diaphragm seal Model 990.36, special version with protection disc

## Dimensions in mm





G	Dimensions in mm					Weight in kg
	Mb	SW	d	l	h	
G ½ B	17	30	26	20	40	0.30
G ¾ B	22	32	32	20	40	0.50
G 1 B	25	41	39	28	46	0.65
G 1½ B	40	55	55	27	48	1.30

Mb = effective diameter of diaphragm

### Possible combinations

(taking the following application conditions into account)

<b>Instrument connection</b>	Instrument directly welded
<b>System fill fluid</b>	KN 2 Silicon oil
<b>Temperature range</b>	<ul style="list-style-type: none"> <li>■ Process -10 °C ... +80 °C</li> <li>■ Ambient -10 °C ... +40 °C</li> </ul>
<b>Lowest measuring range</b>	<p>With pressure gauge e.g. Model 232.50 / 233.50 (data sheet PM 02.02) or safety pattern version Model 232.30 / 233.30 (data sheet PM 02.04)</p>  <p>NS 63: 0 ... 6 bar NS 100: 0 ... 10 bar</p>
	<p>With pressure transmitter e.g. Model S-10 (data sheet PE 81.01)</p>  <p>0 ... 2.5 bar</p>

### Ordering information

Model / Process connection / Material of wetted parts / Instrument connection: directly combined or capillary extension, capillary length / System fill fluid / Pressure instrument desired (preferably 63 mm / Process conditions as per questionnaire

Modifications may take place and materials specified may be replaced by others without prior notice.  
Specifications and dimensions given in this leaflet represent the state of engineering at the time of printing.



**WIKAI Alexander Wiegand GmbH & Co. KG**  
Alexander-Wiegand-Straße 30  
63911 Klingenberg/Germany  
Phone (+49) 93 72/132-0  
Fax (+49) 93 72/132-406  
E-Mail [info@wika.de](mailto:info@wika.de)  
[www.wika.de](http://www.wika.de)