

# Valve manifold for differential pressure gauges

## Model 910.25

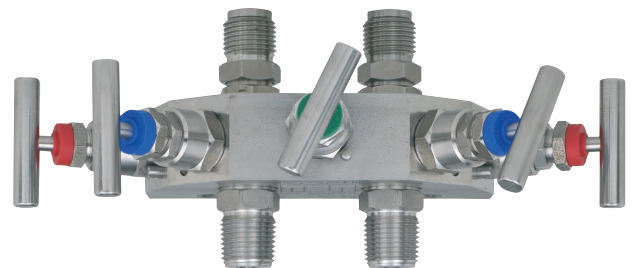
WIKA data sheet AC 09.11

### Applications

- Shut-off, pressure equalising, purge and vent valves for differential pressure gauges, for measurement of liquids, gases and vapours
- In stainless steel version for aggressive media, also in aggressive environments
- Process industry: Machine building, general plant construction, chemical/petrochemical, power plants, mining, on- and offshore and environmental technology

### Special features

- One-way, three-way, four-way and five-way valves
- Robust brass or stainless steel versions
- Valves for PN 100 and 400 with double-sided cone seals
- Wide variety of process connections
- Nominal pressures to 40, 100 or 400 bar



Five-way valve, PN 400

## Description

### One-way valves

With model 910.25 valve manifolds single-sided overpressure loading during start-up and operation phases can be avoided by means of a pressure compensation of the  $\oplus$  and  $\ominus$  side. In addition, zero adjustments are possible during the running process.

### Three-way valves

Three-way valves include additional valves, which enable a shut-off of the process lines during operation. This simplifies the dismantling, testing and shutdown of the measuring instrument, and it also protects from impermissible overpressure loading. Furthermore, the measurement of static pressure is possible (after dismantling the measuring instrument).

### Four and five-way valves

Furthermore, these valve manifolds, with integrated shut-off, purge and vent valves, enable the pressure gauge to be vented on one or both sides and the supply line to be purged.

## Standard design PN 100 - stainless steel (One-way, three-way and five-way valves)

For models 732.51 and 891.34.1998 and also 736.51 and 736.11 differential pressure gauges

Centre distance: 37 mm  
Nominal pressure PN: 100 bar  
Nominal width DN: 3.5 mm  
Permissible temperatures: -20 ... +250 °C

### Wetted parts

Body, connection to measuring instrument and process connection: stainless steel  
Valve element: stainless steel  
Spindle with rotating double cone: stainless steel  
Gland packing: PTFE

### Valve element (replaceable)

Through a double-sided sealing cone, with the valve fully-opened, the spindle area is isolated from the process by a metallic seal, the gland packing is not loaded and thus the spindle thread is not in contact with the process media.

### T-handle

Stainless steel, Ø 10 x 44 mm

### Connection to measuring instrument

For models 732.51 and 891.34.1998: 2 x G ¼ B male nut  
For models 736.51 and 736.11: 2 x G ½ union nut

### Process connection

2 x G ½ B, ½ NPT or M20 x 1.5 male threads

### Installation

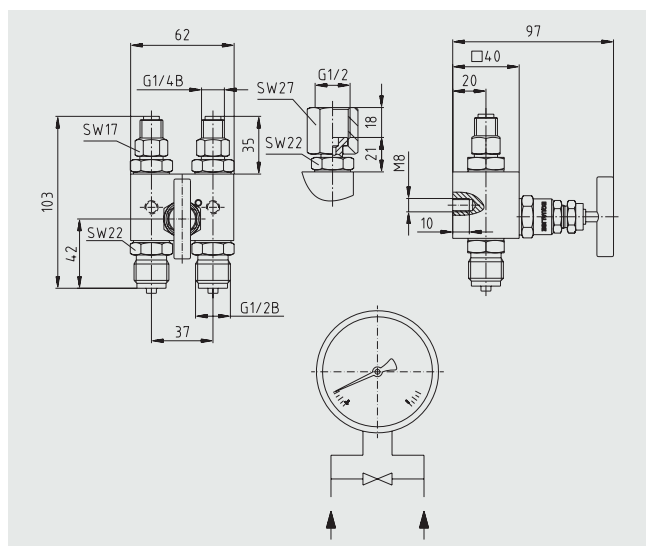
2 x M8 blind bore

## Options

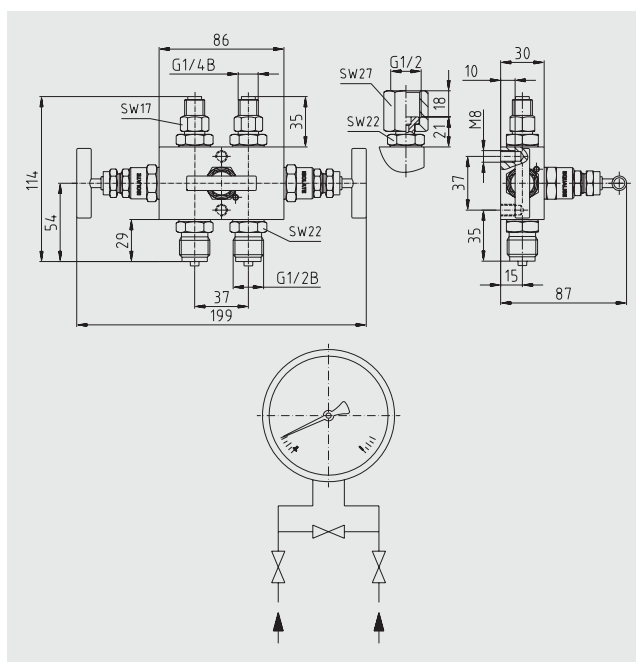
- Free from oil and grease for oxygen
- Other process connections
- Designs in Monel®

## Dimensions in mm

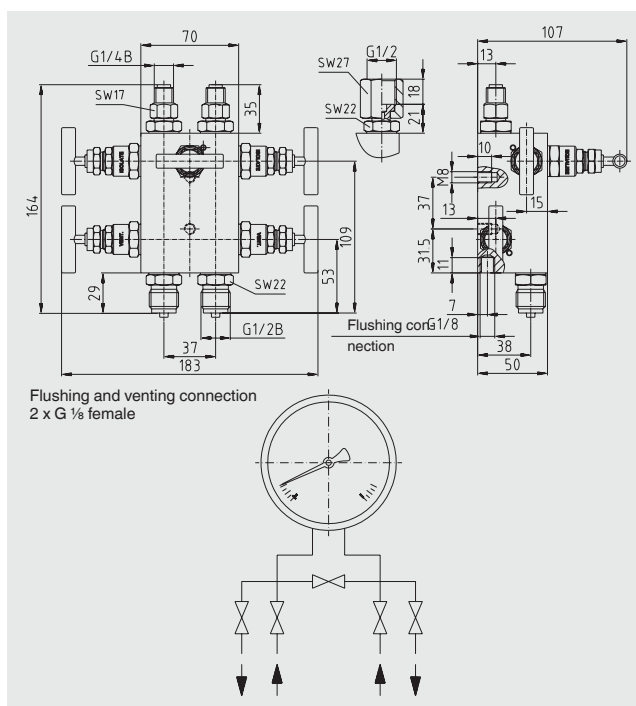
### PN 100 one-way valve



### PN 100 three-way valve



### PN 100 five-way valve



### Order no. (valves for model 732.51 and 891.34.1998)

Process connection	One-way valve	Three-way valve	Five-way valve
G ½ B	2020346	2011631	2020389
½ NPT	2020354	2011712	2020397

### Order no. (valves for model 736.51 and 736.11)

Process connection	One-way valve	Three-way valve
G ½ B	2020320	on request
½ NPT	2020338	on request

## Standard design PN 400 - stainless steel (One-way, three-way and five-way valves)

For models 732.14 and 891.34.1884 differential pressure gauges

Centre distance: 54 mm  
 Nominal pressure PN: 400 bar  
 Nominal width DN: 3.5 mm  
 Permissible temperatures: -20 ... +250 °C

### Wetted parts

Body, connection to measuring instrument and process connection: stainless steel  
 Valve element: stainless steel  
 Spindle with rotating double cone: stainless steel  
 Gland packing: PTFE

### Valve element (replaceable)

Through a double-sided sealing cone, with the valve fully opened, the spindle area is isolated from the process by a metallic seal, the gland packing is not loaded and thus the spindle thread is not in contact with the process media.

### T-handle

Stainless steel, Ø 10 x 44 mm

### Connection to measuring instrument

2 x G ½ B male nut

### Process connection

2 x G ½ B or ½ NPT male threads

### Installation

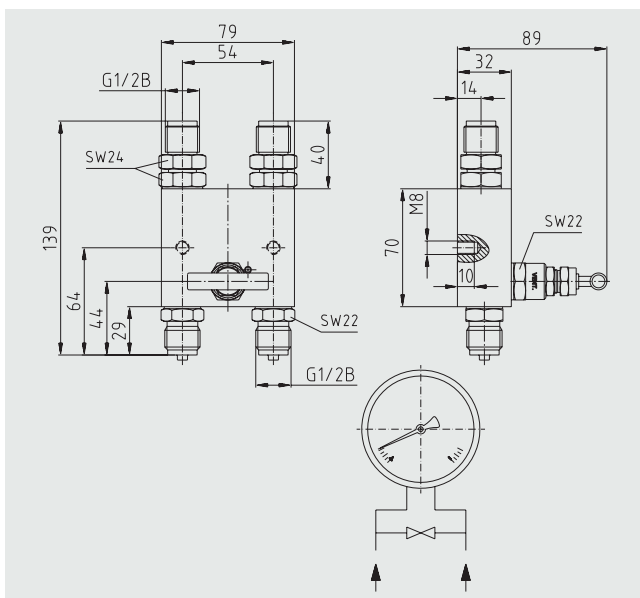
2 x M8 blind bore

## Options

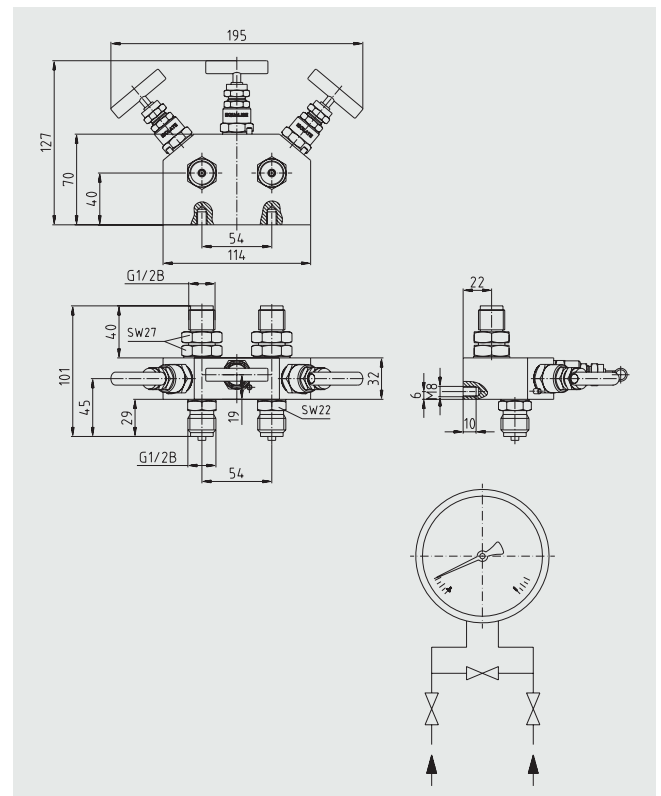
- Free from oil and grease for oxygen (max. PN 100)
- Other process connections
- Designs in Monel®

## Dimensions in mm

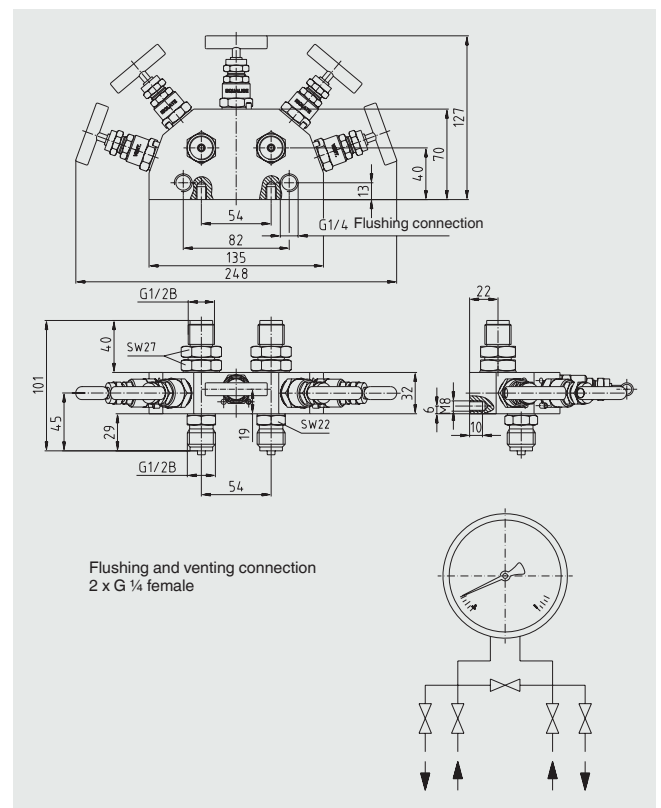
### One-way valve PN 400



### PN 400 three-way valve



### PN 400 five-way valve



### Order no. (valves for model 732.14 and 891.34.1884)

Process connection	One-way valve	Three-way valve	Five-way valve
G ½ B	2049965	2020427	2020486
½ NPT	2049974	2020444	2020494

## Standard version PN 25

(Four-way valve)

For models DPG40, DPS40, DPGS40, DPGS40TA and DPGT40 differential pressure gauges

Centre distance: 30 mm (process side)  
 Nominal pressure PN: 25 bar  
 Nominal width DN: 3.5 mm  
 Permissible temperatures: -10 ... +150 °C

### Connection to measuring instrument

2 x tube adapters, Ø 6 mm

### Process connection

2 x G 1/4 female

## Copper alloy design

### Wetted parts

Body, connection to measuring instrument and process connection: copper alloy  
 Valve element (replaceable): copper alloy  
 Spindle with rigid single cone (spindle threads not wetted): copper alloy  
 Gland packing: PTFE, FPM/FKM

### Knurled screw

Copper alloy

## Stainless steel version

### Wetted parts

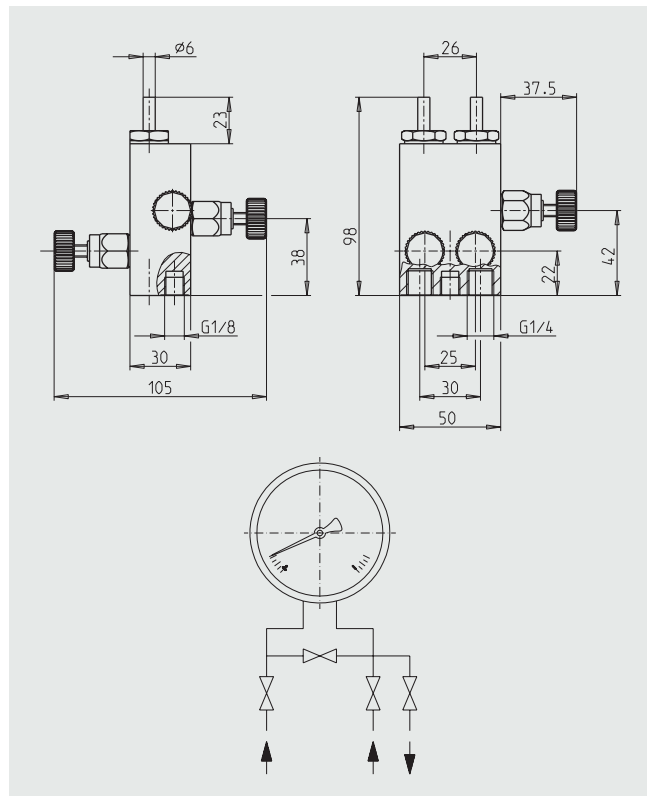
Body, connection to measuring instrument and process connection: stainless steel  
 Valve element (replaceable): stainless steel  
 Spindle with rigid single cone (spindle threads not wetted): stainless steel  
 Gland packing: PTFE, FPM/FKM

### Knurled screw

Stainless steel

## Dimensions in mm

### Four-way valve PN 25



### Order number

Material	Four-way valve
Copper alloy	2043567
Stainless steel	2043559

### Ordering information

To order, the order number is sufficient. Other options require additional specification.

© 2004 WIKA Alexander Wiegand SE & Co. KG, all rights reserved.  
 The specifications given in this document represent the state of engineering at the time of publishing.  
 We reserve the right to make modifications to the specifications and materials.



**WIKAL Alexander Wiegand SE & Co. KG**  
 Alexander-Wiegand-Straße 30  
 63911 Klingenberg/Germany  
 Tel. +49 9372 132-0  
 Fax +49 9372 132-406  
 info@wika.de  
 www.wika.de